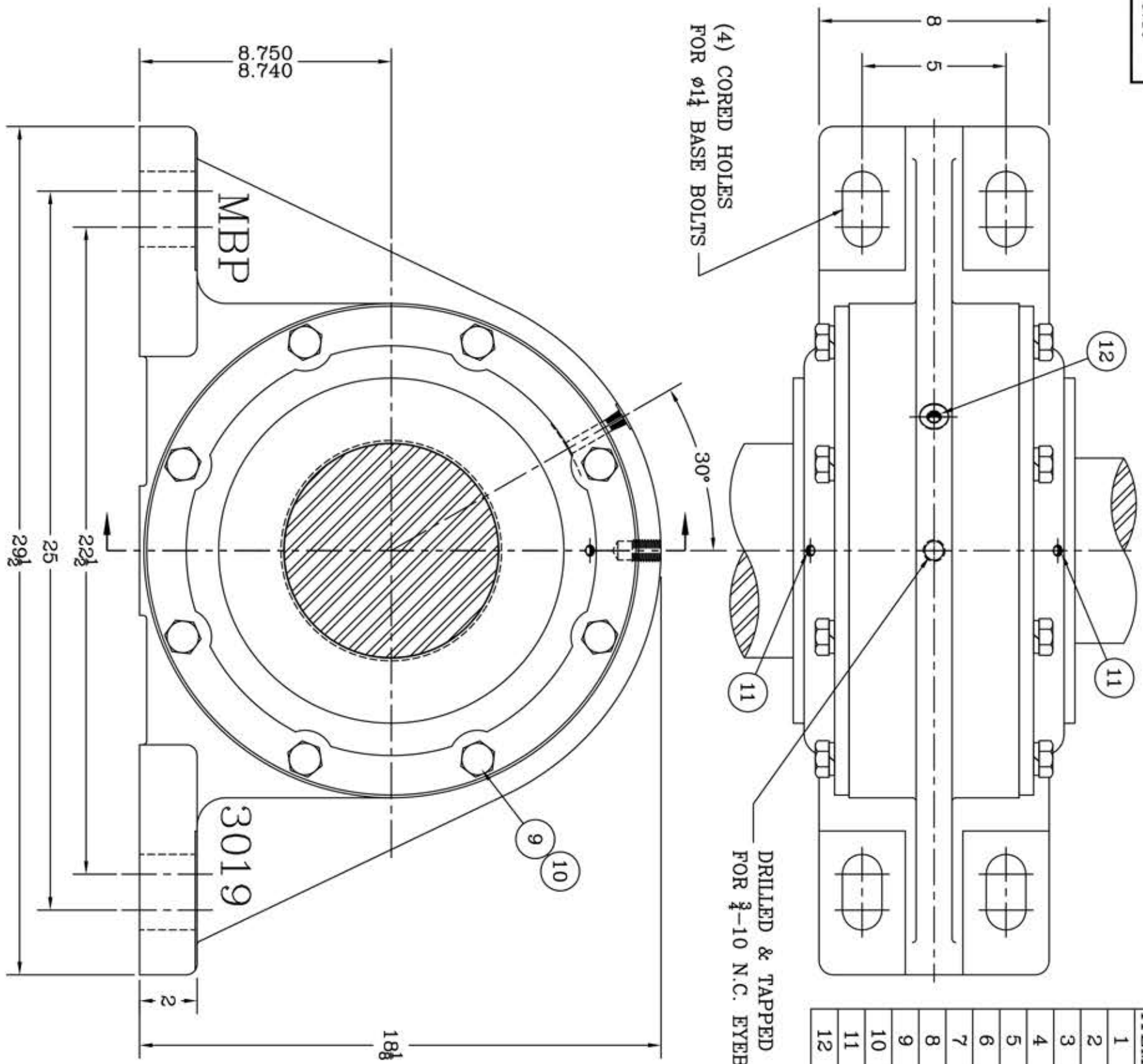
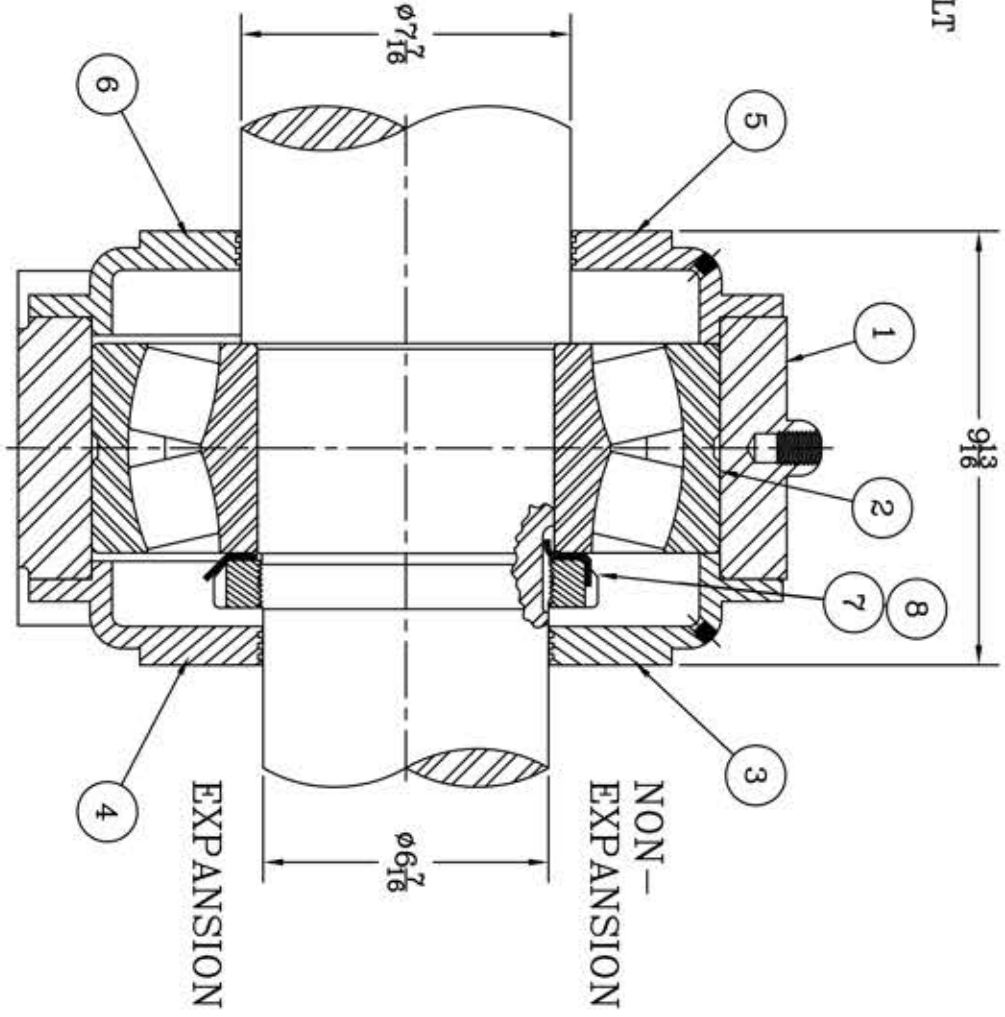


This drawing is the sole property of Miether Bearing Products and contains confidential and proprietary information. It is being provided to you for your use and may not be disclosed to any third party or used for any other purpose without Miether's prior written consent. The [materials] must be returned to the Company upon its demand. Your acceptance of these materials constitutes your acceptance of the foregoing terms.

C-14710



ITEM	DESCRIPTION	DETAIL	REQUIRED
1	HOUSING M-3019	C-22181	1 1
2	SPHERICAL ROLLER BEARING	22334K/W-33	1 1
3	ENDCAP F-3528 NEL	C-22934	2 0
4	ENDCAP F-3529 EL	C-22934	0 2
5	ENDCAP F-3530 NEL	C-22936	2 0
6	ENDCAP F-3531 EL	C-22936	0 2
7	LOCKNUT AN-34	B-10421	1 1
8	LOCKNUT W-34	00251	1 1
9	CAP BOLT HEX. HEAD	3/10 NC x 1 1/2 LONG	16 16
10	LOCKWASHER	3/4 SPLIT MED.	16 16
11	PIPE PLUG	1/2-27 NPT	2 2
12	PIPE PLUG	1/4-18 NPT	1 1



REDRAWN ON COMPUTER
RWB per KAB
12-15-03

REVISIONS

SYMBOL	MICRO-INCH VALUE	DESCRIPTION
✓	16	ASSEMBLY FINISHES
∇	32	ASSEMBLY FINISHES
∇	63	ASSEMBLY FINISHES
∇	125	ASSEMBLY FINISHES
∇	250	ASSEMBLY FINISHES
∇	500	ASSEMBLY FINISHES
∇	1000	ASSEMBLY FINISHES

AN ALCO INDUSTRIES COMPANY
ODDESSA, TX. USA

MMW 22334 07-07 x 06-07	ASSEMBLY DRAWING
SCALE 1 = 3	ASSEMBLY NO.
DRAWN CJ	DRAWING NO.
DATE 7/20/71	CHK: C-14710