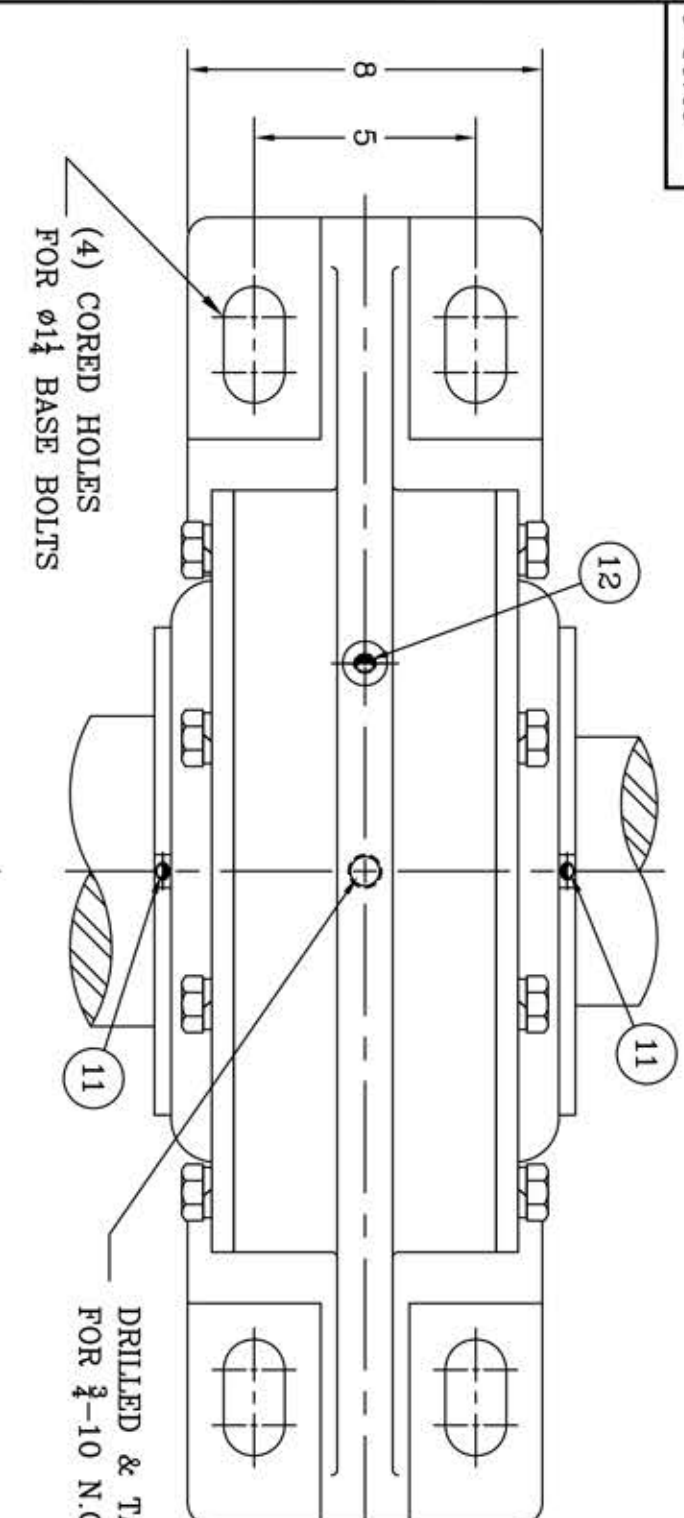
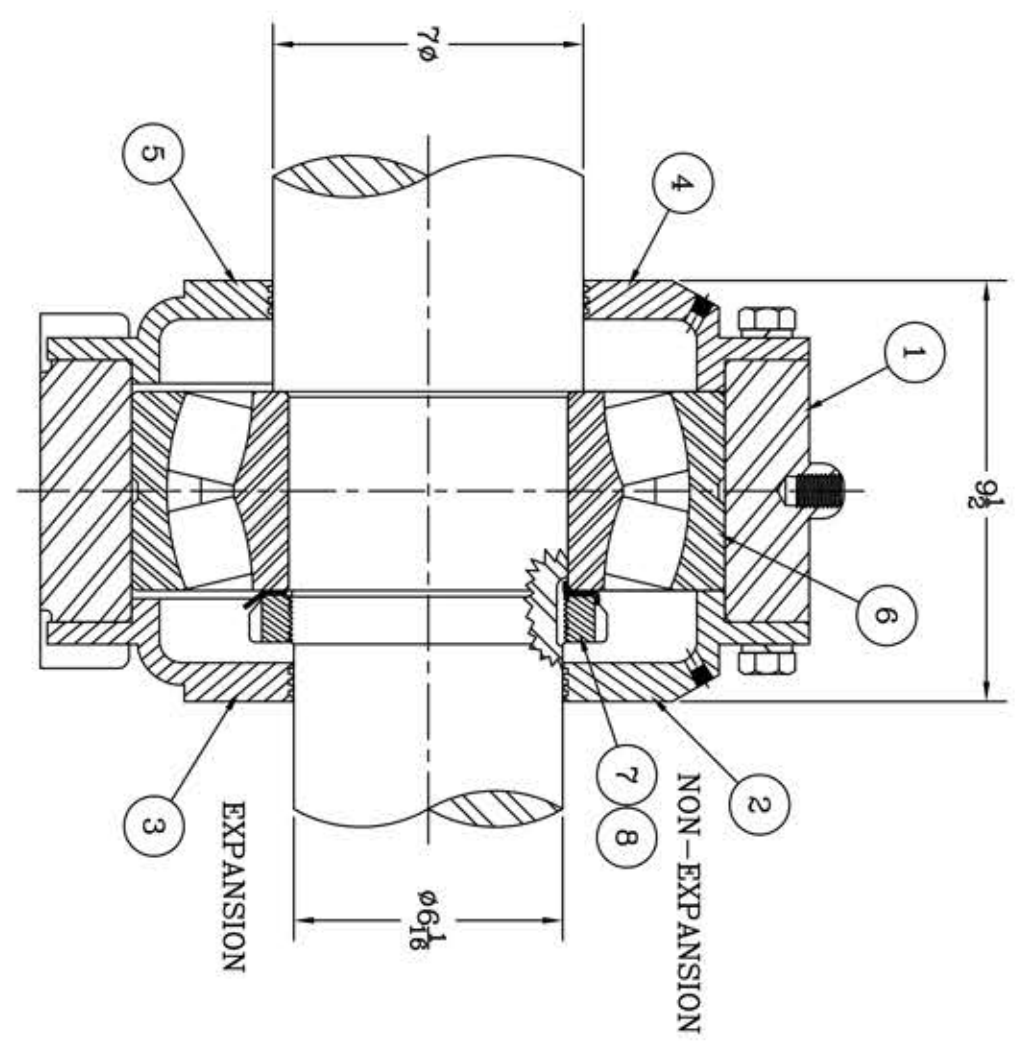
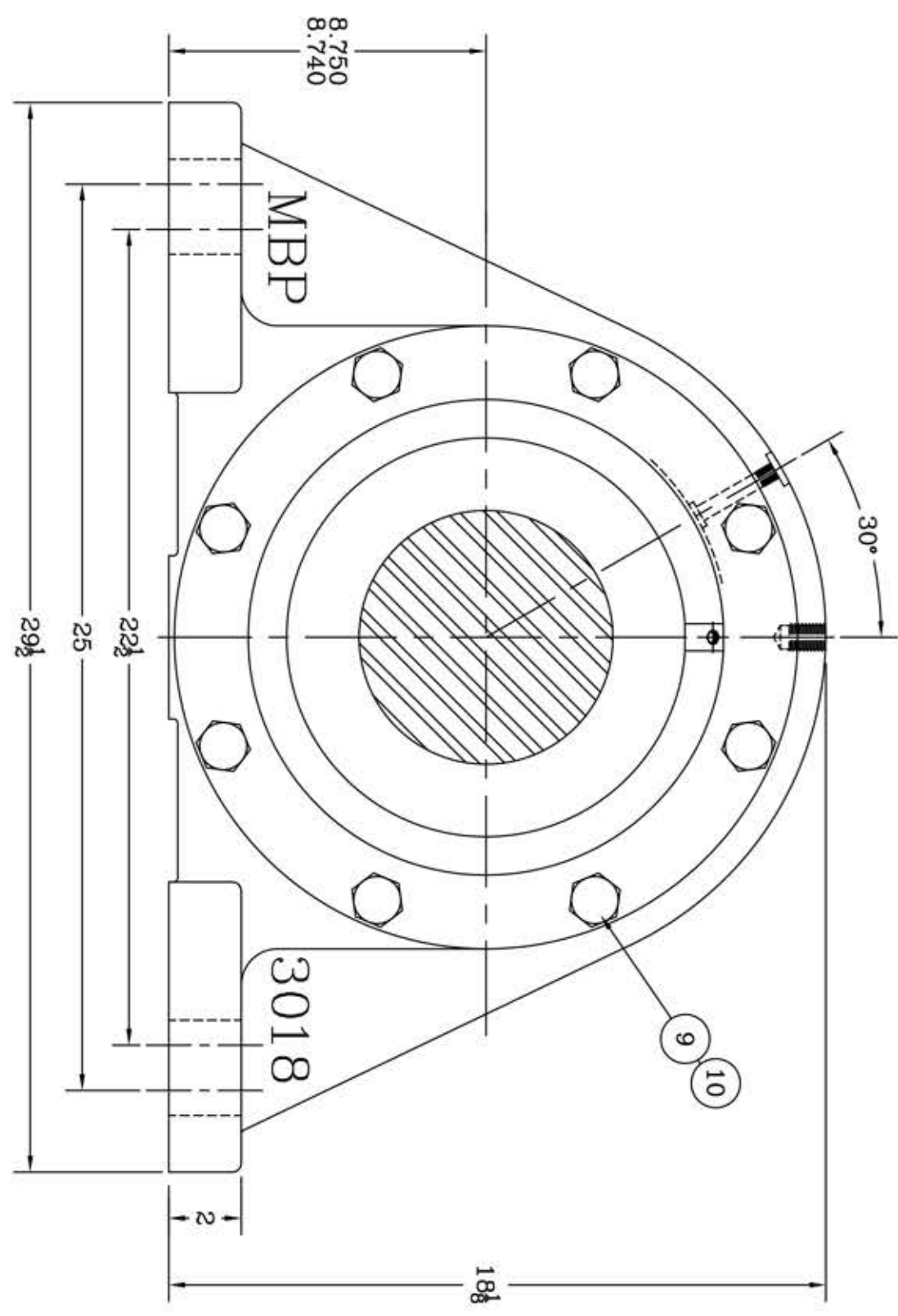


This drawing is the sole property of Miether Bearing Products and contains confidential and proprietary information. It is being provided to you for your use and may not be disclosed to any third party or used for any other purpose without Miether's prior written consent. The [materials] must be returned to the Company upon its demand. Your acceptance of these materials constitutes your acceptance of the foregoing terms.

C-14709



ITEM	DESCRIPTION	DETAIL	REQUIRED	REQ. FLT.
1	HOUSING M 3018	C-22177	1	1
2	END CAP F3514	C-22906	1	0
3	END CAP F3515	C-22907	0	1
4	END CAP F3516	C-22914	1	0
5	END CAP F3517	C-22915	0	1
6	SPHERICAL ROLLER BEARING	22332/W-33	1	1
7	LOCKNUT AN-32	B-10420	1	1
8	LOCKWASHER W-32	00250	1	1
9	CAP BOLT HEX. HEAD ¾-10 NC x 1½ LONG		16	16
10	LOCKWASHER ¾ SPLIT MED.		16	16
11	PIPE PLUG ½-27 NPT		2	2
12	PIPE PLUG ¼-18 NPT		1	1



REDRAWN FOR CONFORMITY  
RWB per KAB  
10-8-03

REDRAWN ON COMPUTER  
BY  
3/23/00

REVISIONS

SYMBOL	DESCRIPTION
✓	16
✓	32
✓	63
✓	125
✓	250
✓	500
✓	1000

TOLERANCE: UNLESS OTHERWISE SPECIFIED

FRACTIONS ± 1/32" ANGLES ± 0° 30'

DECIMALS ± .005" WELD ± 1/16"

CASTING ± 1/16"

A.I.S.I. STANDARD FINISHES

AN ALCO INDUSTRIES COMPANY  
BEARING PRODUCTS  
ODESSA, TX. USA

MMW 22332 07-00 x 06-01  
ASSEMBLY DRAWING

SCALE 1 = 3  
DRAWN JC  
DATE 5/26/71  
CHK.

ASSEMBLY NO.  
DRAWING NO.  
C-14709