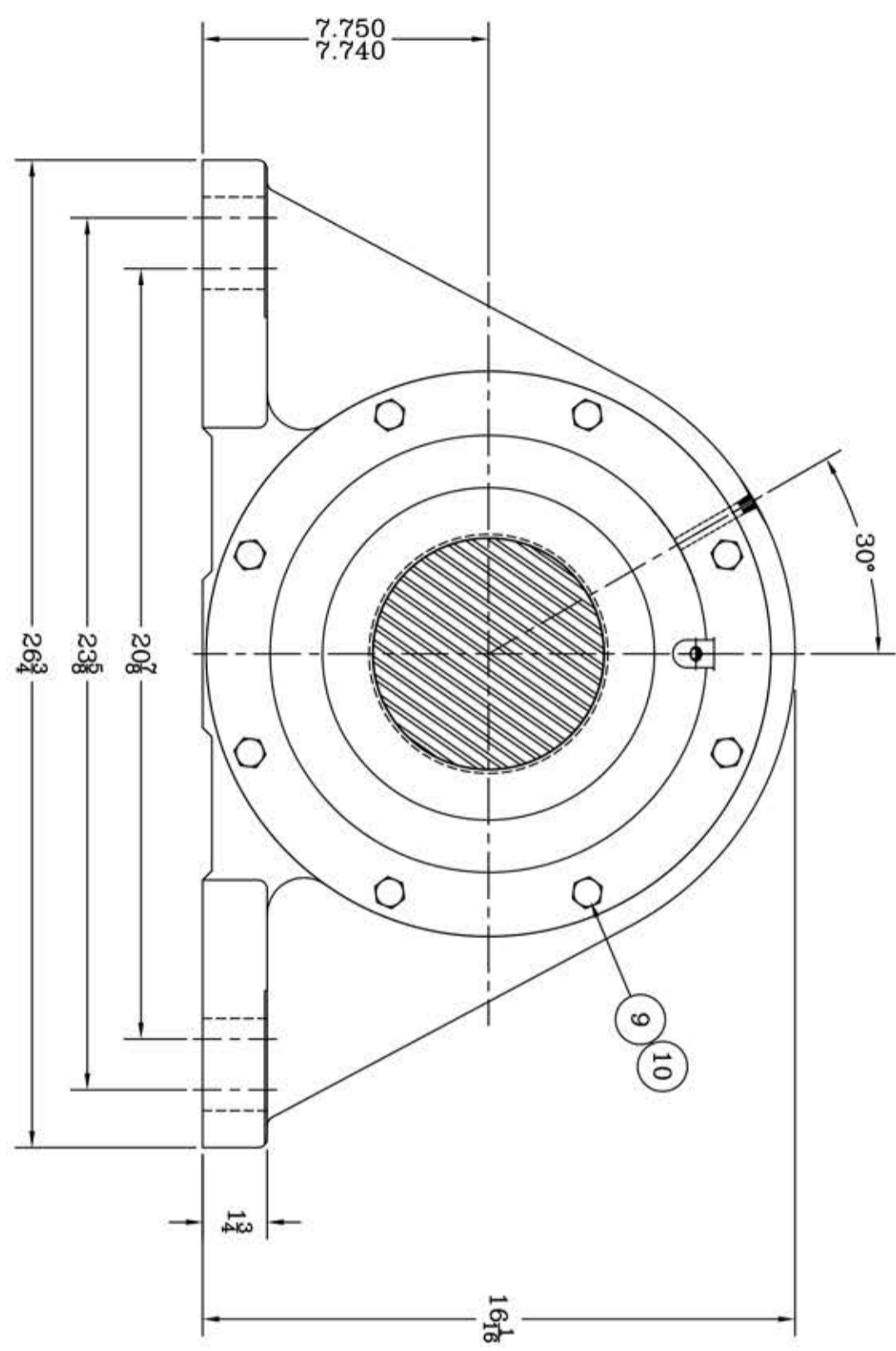
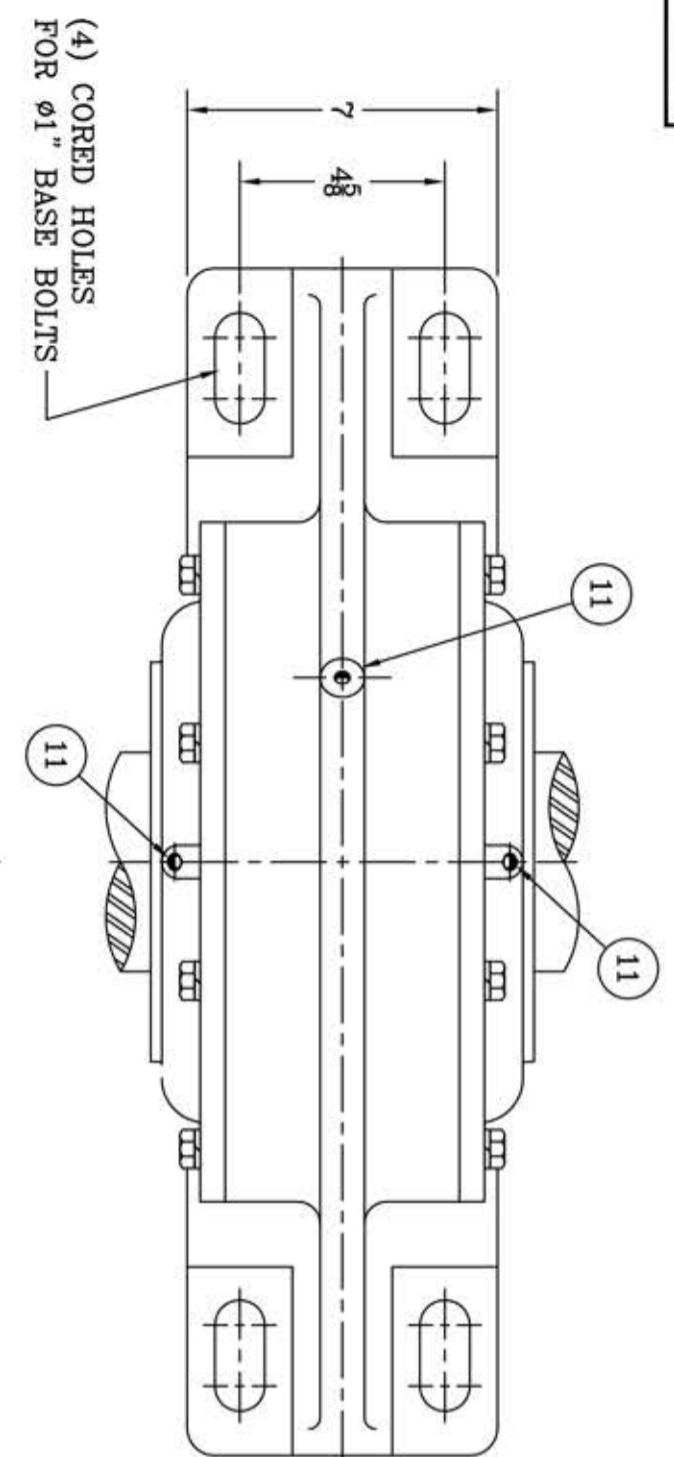
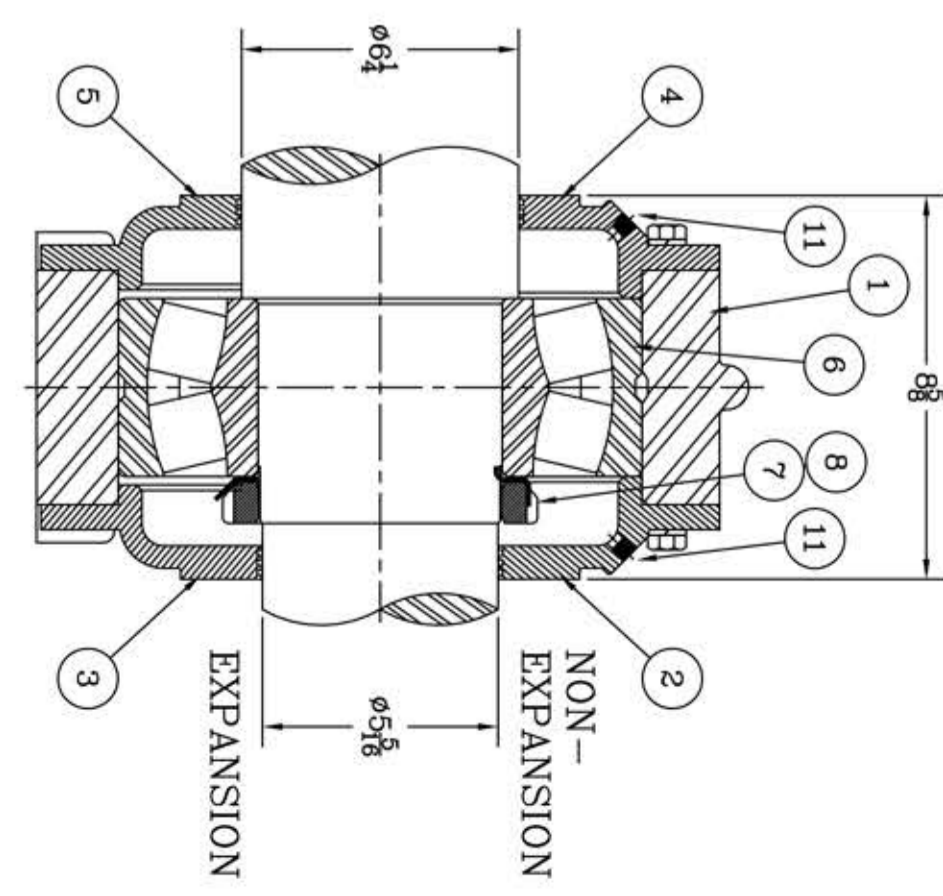


This drawing is the sole property of Miether Bearing Products and contains confidential and proprietary information. It is being provided to you for your use and may not be disclosed to any third party or used for any other purpose without Miether's prior written consent. The [materials] must be returned to the Company upon its demand. Your acceptance of these materials constitutes your acceptance of the foregoing terms.

C-14707



ITEM	DESCRIPTION	DETAIL	REQUIRED
			N EXP. EXP.
1	HOUSING M3009	C-03009	1 1
2	ENDCAP F3486	C-22872	1 0
3	ENDCAP F3487	C-22872	0 1
4	ENDCAP F3488	C-22874	1 0
5	ENDCAP F3489	C-22874	0 1
6	SPHERICAL ROLLER BEARING	22328/W-33	1 1
7	LOCKNUT AN-28	B-10418	1 1
8	LOCKWASHER W-28	00248	1 1
9	CAP BOLT HEX. HEAD 1/2-13 NC x 1 1/2 LONG	1/2-13 NC x 1 1/2 LONG	16 16
10	LOCKWASHER 1/2 SPLIT MED.	1/2 SPLIT MED.	16 16
11	PIPE PLUG 1/2-27 NPT	1/2-27 NPT	3 3



REDRAWN ON COMPUTER
RWB per KAB
9-16-03

REVISIONS

SYMBOL	DESCRIPTION
✓	ASSEMBLY FINISHES
✓	WELD
✓	ANGLES
✓	DECIMALS
✓	FRACTIONS

TOLERANCE: UNLESS OTHERWISE SPECIFIED

SYMBOL	VALUE	DESCRIPTION
✓	16	ANGLES
✓	32	DECIMALS
✓	63	FRACTIONS
✓	125	WELD
✓	250	ASSEMBLY FINISHES
✓	500	ASSEMBLY FINISHES
✓	1000	ASSEMBLY FINISHES

AN ALCO INDUSTRIES COMPANY
BEARING PRODUCTS
ODDESSA, TX. USA

MMW 22328 06-04 x 05-05
ASSEMBLY DRAWING

SCALE 1 = 3
DRAWN CJ
DATE 7/29/71
CHK.

ASSEMBLY NO.
DRAWING NO. C-14707