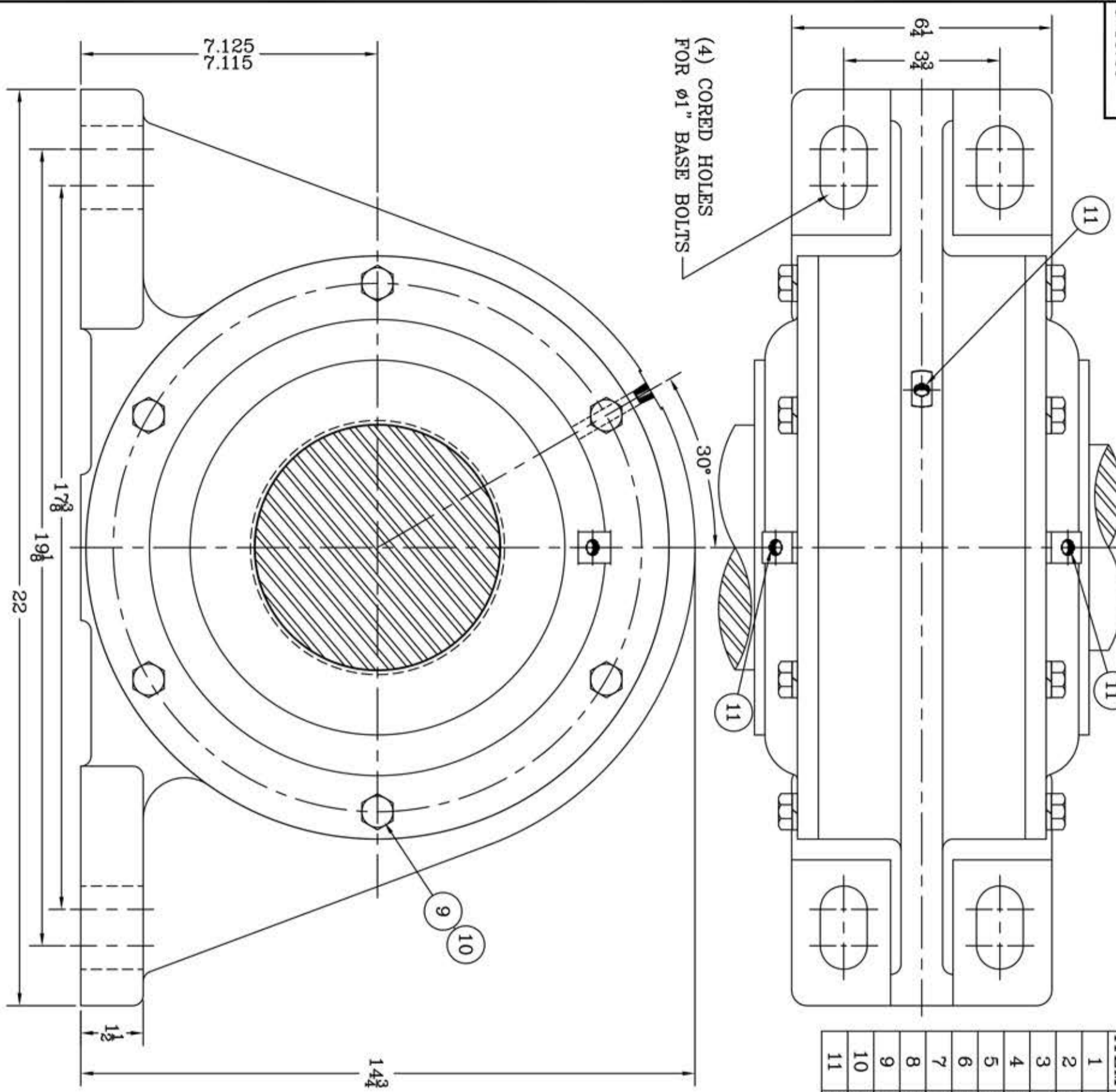
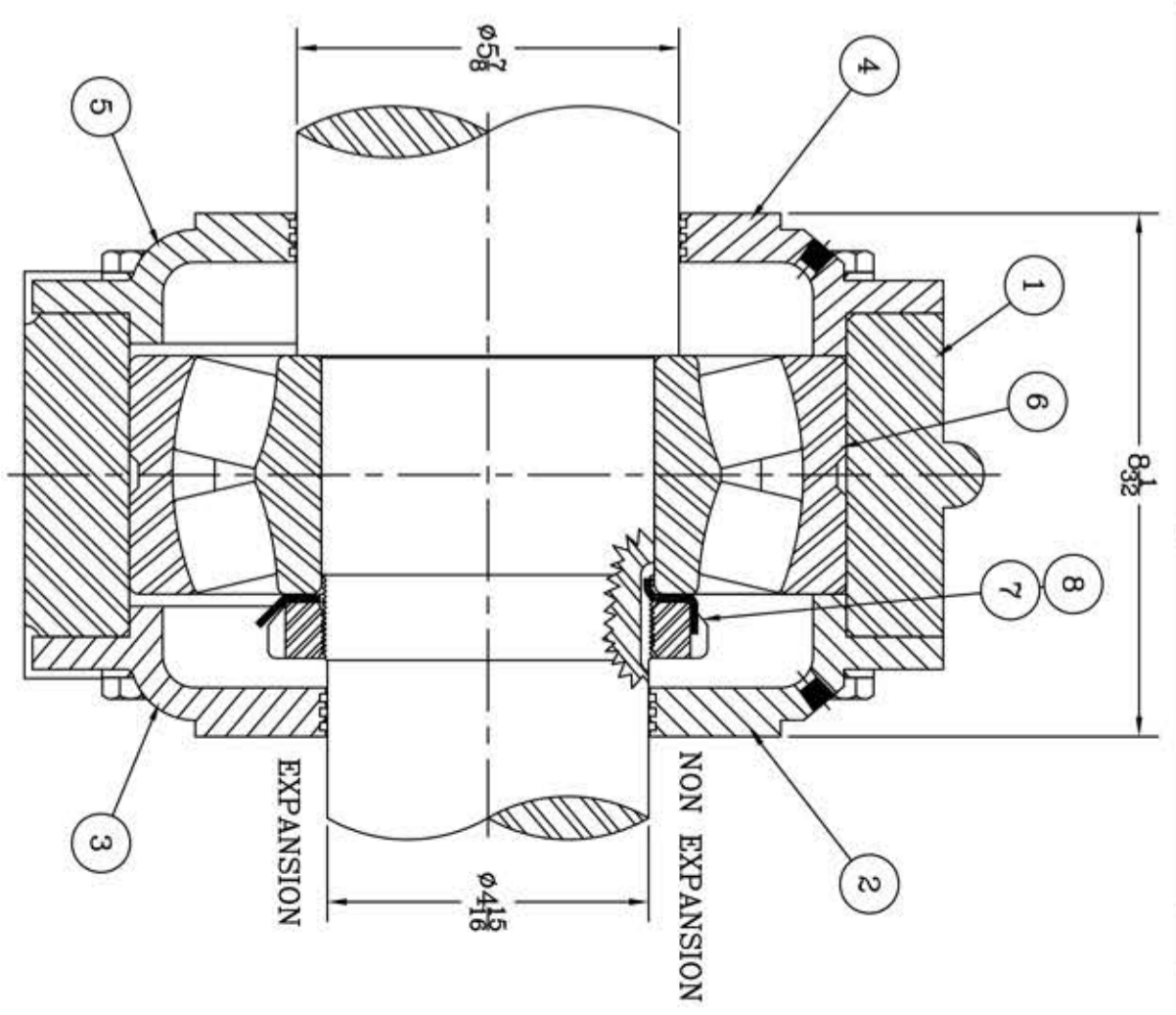


This drawing is the sole property of Miether Bearing Products and contains confidential and proprietary information. It is being provided to you for your use and may not be disclosed to any third party or used for any other purpose without Miether's prior written consent. The [materials] must be returned to the Company upon its demand. Your acceptance of these materials constitutes your acceptance of the foregoing terms.

C-14706



ITEM	DESCRIPTION	DETAIL	REQUIRED
			N EXP EXP.
1	HOUSING M3017	C-03017	1 1
2	ENDCAP F3472 NEL	C-22854	1 0
3	ENDCAP F3473 EL	C-22854	0 1
4	ENDCAP F3474 NEL	C-22860	1 0
5	ENDCAP F3475 EL	C-22860	0 1
6	SPHERICAL ROLLER BEARING	22326/W-33	1 1
7	LOCKNUT AN-26	B-10417	1 1
8	LOCKWASHER W-26	00247	1 1
9	CAP BOLT HEX. HEAD	1/2-13 NC x 1 1/2 LONG	12 12
10	LOCKWASHER	1/2 SPLIT MED.	12 12
11	PIPE PLUG	1/2-27 NPT	3 3



REDRAWN ON COMPUTER  
RWB per KAB  
8-26-03

REVISIONS

SYMBOL	DESCRIPTION
V	REVISION
D	REVISION
E	REVISION
F	REVISION
G	REVISION
J	REVISION
K	REVISION

TOLERANCE: UNLESS OTHERWISE SPECIFIED  
FRACTIONS  $\pm 1/32"$   
DECIMALS  $\pm .005$   
CASTING  $\pm 1/16"$   
WELD  $\pm 1/16"$   
ANGLES  $\pm 0^\circ 30'$   
A.I.S.I. STANDARD FINISHES

MMW 22326 05-14 x 04-15  
ASSEMBLY DRAWING  
SCALE HALF  
DRAWN CJ  
DATE 7/27/71  
CHK:  
AN ALCO INDUSTRIES COMPANY  
ODESSA, TX. USA  
ASSEMBLY NO.  
DRAWING NO.  
C-14706