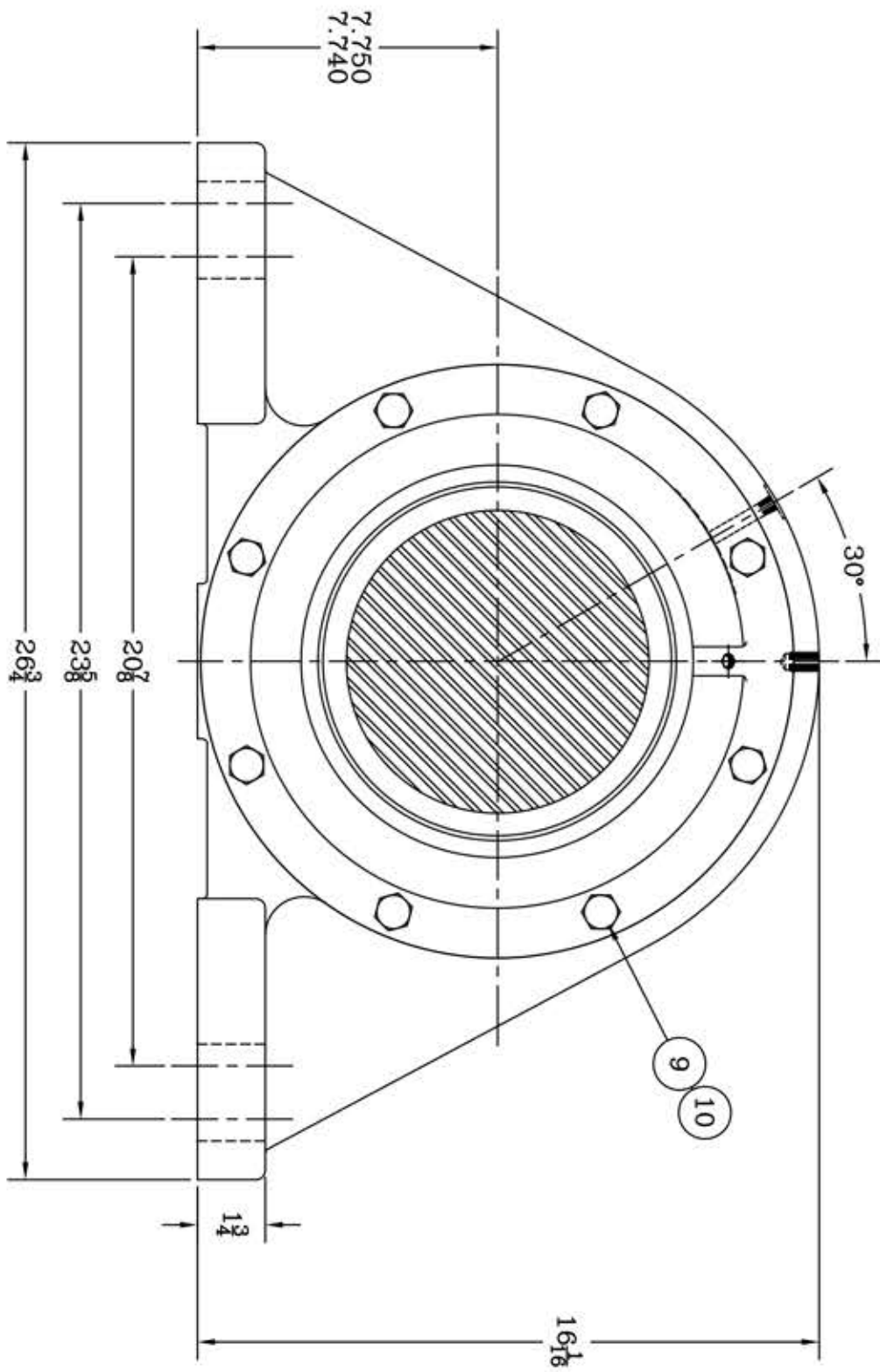
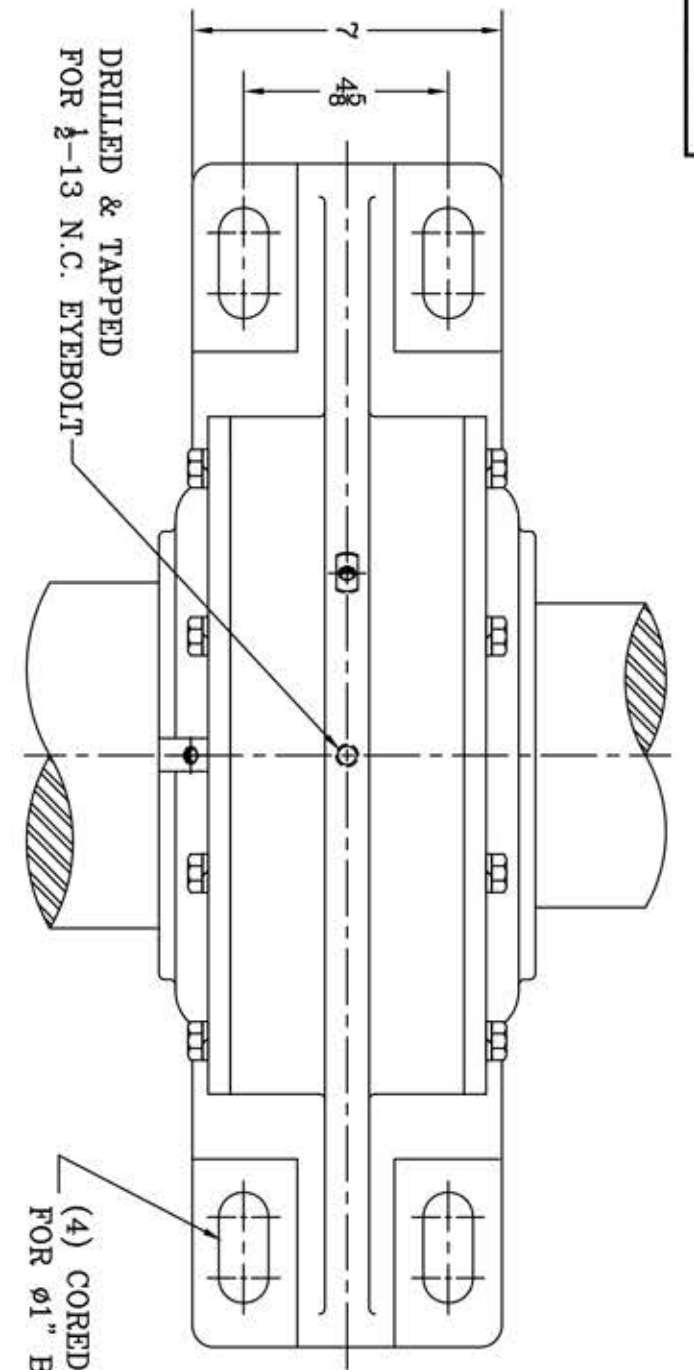
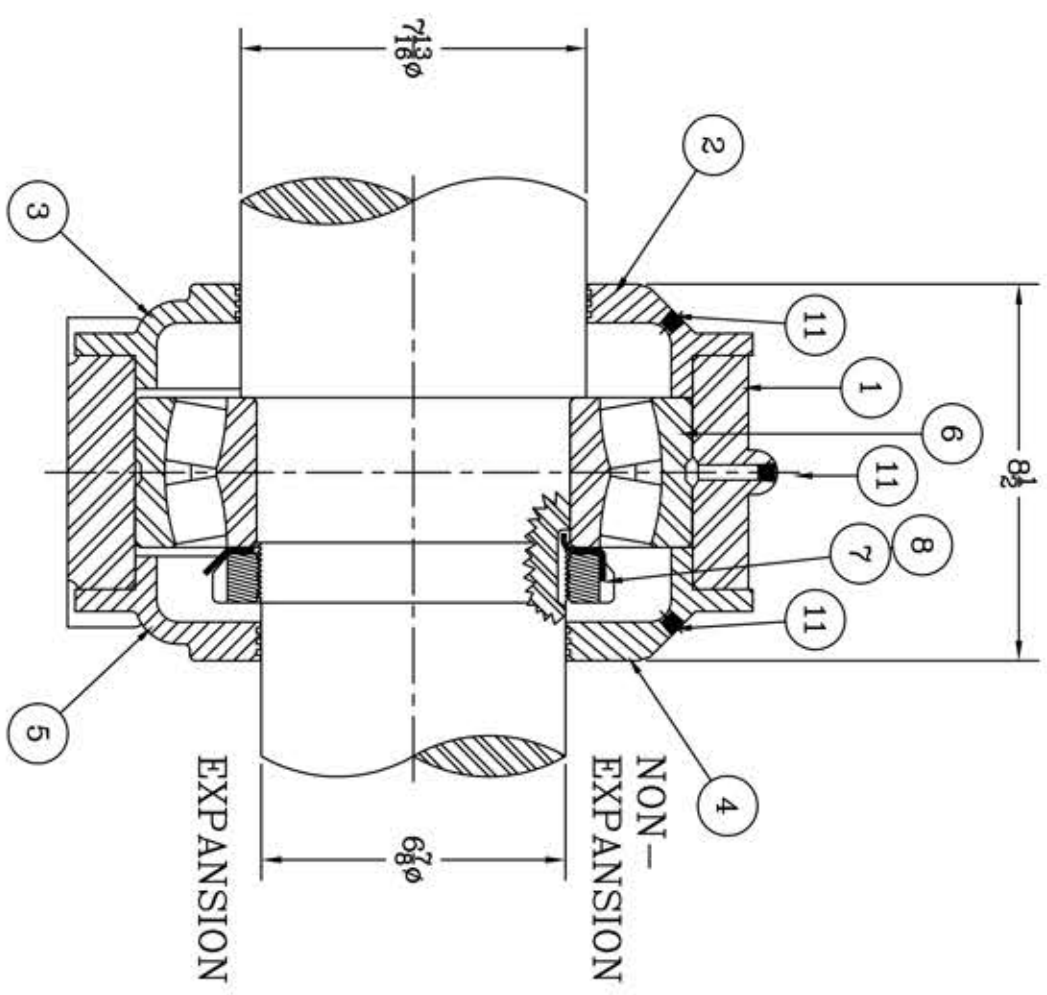


This drawing is the sole property of Miether Bearing Products and contains confidential and proprietary information. It is being provided to you for your use and may not be disclosed to any third party or used for any other purpose without Miether's prior written consent. The [materials] must be returned to the Company upon its demand. Your acceptance of these materials constitutes your acceptance of the foregoing terms.

C-14670



ITEM	DESCRIPTION	DETAIL	REQUIRED
			N EXP EXP.
1	HOUSING M3007	C-03007	1 1
2	ENDCAP F3152 NEL	C-22464	1 0
3	ENDCAP F3153 EL	C-22464	0 1
4	ENDCAP F3150 NEL	C-22458	1 0
5	ENDCAP F3151 EL	C-22458	0 1
6	SPHERICAL ROLLER BEARING	22236/W-33	1 1
7	LOCKNUT AN-36	B-10422	1 1
8	LOCKWASHER W-36	00252	1 1
9	CAP BOLT HEX. HEAD 1/2-13 NC x 1 1/2 LONG	1/2-13 NC x 1 1/2 LONG	16 16
10	LOCKWASHER 1/2 SPLIT MED.	1/2 SPLIT MED.	16 16
11	PIPE PLUG 1/2-27 NPT	1/2-27 NPT	3 3



REDRAWN FOR CONFORMITY RWB per KAB 7-8-03

REVISIONS

SYMBOL	DESCRIPTION	DATE
✓C	16	32
✓D	32	63
✓E	63	125
✓F	125	250
✓G	250	500
✓J	500	1000
✓K	1000	

TOLERANCE: UNLESS OTHERWISE SPECIFIED
 FRACTIONS +- 1/32" ANGLES +- 0°-30"
 DECIMALS +- .005 WELD +- 1/16"
 CASTING +- 1/16"
 A.I.S.I. STANDARD FINISHES

AN ALCO INDUSTRIES COMPANY
 BEARING PRODUCTS
 ODESSA, TX. USA

MMW 22236 07-13 x 06-14
 ASSEMBLY DRAWING
 SCALE 1 = 3 ASSEMBLY NO.
 DRAWN CJ
 DATE 3-12-71 DRAWING NO. C-14670
 CHK: