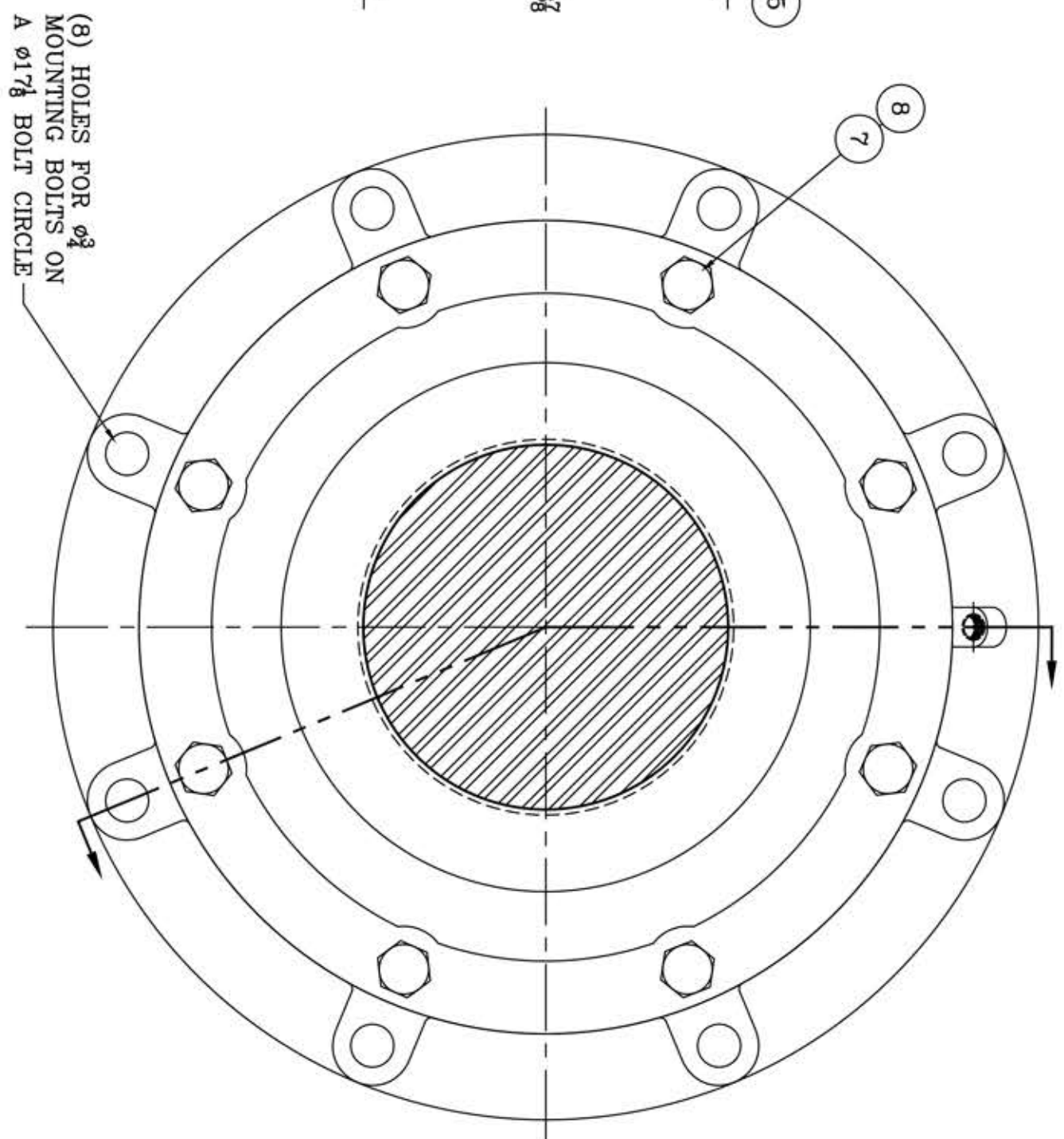
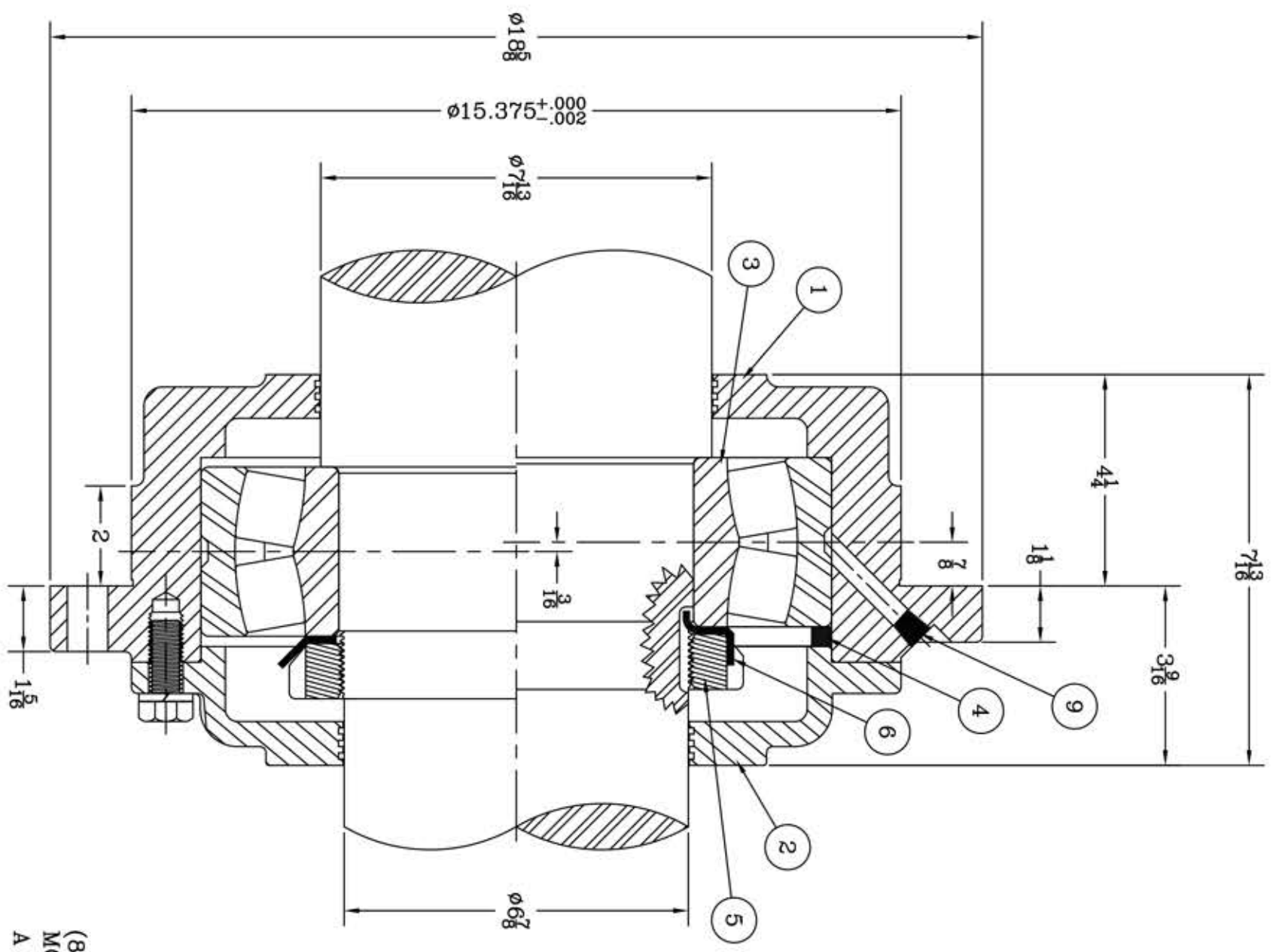


This drawing is the sole property of Miether Bearing Products and contains confidential and proprietary information. It is being provided to you for your use and may not be disclosed to any third party or used for any other purpose without Miether's prior written consent. The [materials] must be returned to the Company upon its demand. Your acceptance of these materials constitutes your acceptance of the foregoing terms.

C-17440



ITEM	DESCRIPTION	DETAIL	REQUIRED
1	HOUSING HL-236	C-20371	1 1
2	ENDCAP KL-236	C-20372	1 1
3	SPHERICAL ROLLER BEARING	22236/W-33	1 1
4	STABILIZING RING SR 36-30	A-10610	1 0
5	LOCKNUT AN-36	B-10422	1 1
6	LOCKWASHER W-36	00252	1 1
7	CAP BOLT HEX. HEAD	8-11 NC x $1\frac{1}{8}$ LONG	8 8
8	LOCKWASHER	8 SPLIT MED.	8 8
9	PIPE PLUG	4-18 NPT	1 1

REDRAWN FOR CONFORMITY
RWB per KAB
12-6-04

REVISIONS

SYMBOL	DESCRIPTION	DATE
C	REVISION	16
D	REVISION	32
E	REVISION	63
F	REVISION	125
G	REVISION	250
J	REVISION	500
K	REVISION	1000

TOLERANCE: UNLESS OTHERWISE SPECIFIED
 FRACTIONS $\pm 1/32"$ ANGLES $\pm 0^\circ 30'$
 DECIMALS $\pm 0.005"$ WELD $\pm 1/16"$
 CASTING $\pm 1/16"$

A.I.S.I. STANDARD FINISHES

AN ALCO INDUSTRIES COMPANY
BEARING PRODUCTS
ODESSA, TX. USA

FCL 22236	07-13 x 06-14
ASSEMBLY DRAWING	
SCALE HALF	ASSEMBLY NO.
DRAWN CJ	
DATE 12/1/77	DRAWING NO.
CHK:	C-17440